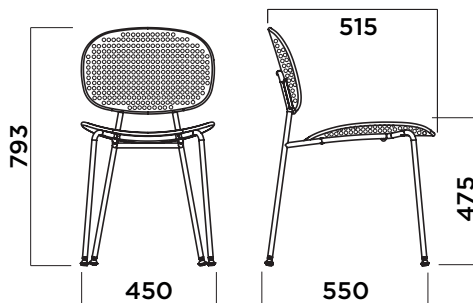


**TONDINA SLIM 4 legs**

5098-O4LP

Design Favaretto&Partners



**OUTDOOR FRAME**

TELAIO OUTDOOR

Round tube diameter 16 mm, thickness 2 mm, accordingly Uni En 10305-3

Tubo tondo di diametro 16 mm, spessore 2mm, prodotto secondo norma Uni En 10305-3



**30-E**



**31-E**



**70-E**

**SEAT AND BACKREST**

SEDUTA E SCHIENALE

Polypropylene + Fiber glass and Post Consumer Industrial Plastic

Polipropilene + Fibra vetro e plastica post consumo industriale.



**IR8022**



**IP7608U**



**S020**



**P421C**



**P480C**



**P557C**



**R1034**

**FINISHING**

FINITURA

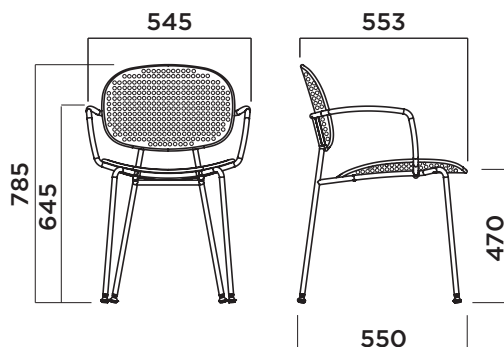
Painted frame with epoxy-polyester powder with average thickness of 50 μ.

Telaio verniciato con polveri epossipoliestri con spessore medio 50 μ.

**TONDINA SLIM 4 legs with arms**

5098-O4AP

Design Favaretto&Partners



**OUTDOOR FRAME**

TELAIO OUTDOOR

Round tube diameter 16 mm, thickness 2 mm, accordingly Uni En 10305-3

Tubo tondo di diametro 16 mm, spessore 2mm, prodotto secondo norma Uni En 10305-3



**30-E**



**31-E**



**70-E**

**SEAT AND BACKREST**

SEDUTA E SCHIENALE

Polypropylene + Fiber glass and Post Consumer Industrial Plastic

Polipropilene + Fibra vetro e plastica post consumo industriale.



**IR8022**



**IP7608U**



**S020**



**P421C**



**P480C**



**P557C**



**R1034**

**FINISHING**

FINITURA

Painted frame with epoxy-polyester powder with average thickness of 50 μ.

Telaio verniciato con polveri epossipoliestri con spessore medio 50 μ.