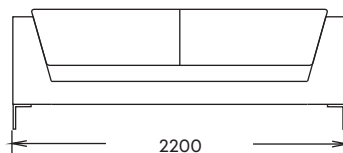
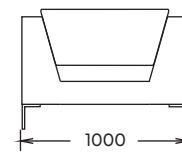


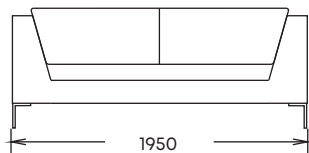
3.5 Seater



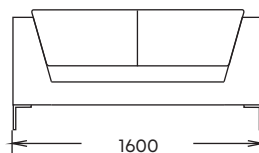
3 Seater



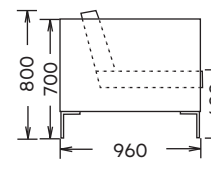
Chair



2.5 Seater



2 Seater



* custom size upon request

FRAME:

Kiln dried hardwood & plantation timber

SEAT SUSPENSION:

No sag steel sprung suspension

SEAT CUSHION:

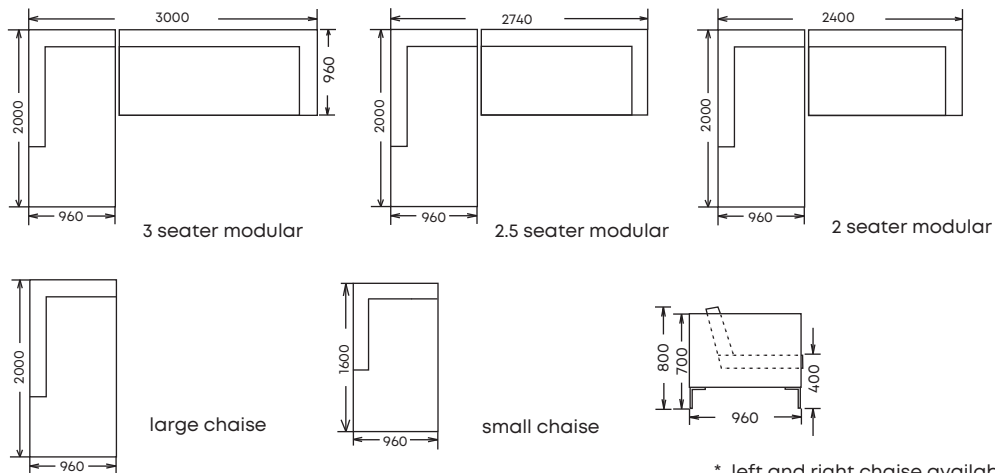
High resilience foam with 10 Year Guarantee

BACK CUSHION:

Feather/Poly mix encased in spun bound bags

LEGS:

Metal legs in black, aluminium or brass finish (Also available in timber legs)



* left and right chaise available
* custom size upon request

FRAME:
SEAT SUSPENSION:
SEAT CUSHION:
BACK CUSHION:
LEGS:

Kiln dried hardwood & plantation timber
No sag steel sprung suspension
High resilience foam with 10 Year Guarantee
Feather/Poly mix encased in spun bound bags
Metal legs in black, aluminium or brass finish (Also available in timber legs)