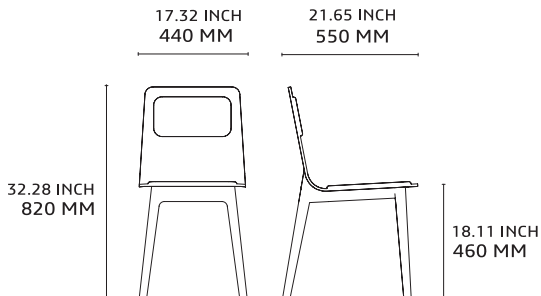




The Laia collection is a reflection of Alki's commitment to sustainable development. This is a rational design marked by well-thought-out craftsmanship and a pursuit of timeless furniture that eschews the pitfalls of the fads and crazes of the moment. It features a simple oak frame topped with a plywood shell covered with foam, felt and wool.

DIMENSIONS:



CATEGORY:

Chair

ENVIRONMENT:

Indoor

APLICATIONS:

- CHR
- Public
- Office

WEIGHT: 6 kg

MATERIALS:

Solid oak construction.
 Seat in plywood upholstered in fabric, eco-leather and leather.
 Natural felt (4 mm thickness) Natural color Grey/Brown.
 Felt glides.
 For Front and back in fabric: ONLY with Luna, Europost, Palma finishes.

IN OPTION: CMHR foam (non fire)

MADE TO ORDER: Finishes and upholsteries, page 2

SPARE PARTS:

Felt glides recommended for all types of flooring. Possibility to change for slide glides in case carpet floors.

ACCESSORIES: No

ASSEMBLED PRODUCT: Yes

COM UPHOLSTERY:

Upon request and under alki's confirmation.

- Laia front upholstery: COM 0,90 x 1,40 mts / 3 chairs
COL 5m² / 6 chairs
- Laia front & back upholstery: COM 1.80 x 1,40 mts / 3 chairs
COL 5m² / 3 chairs

CLEANING AND CARE INSTRUCTIONS:

Dry cloth. To avoid aerosol and spray products with silicone. For upholstery versions please find cleaning instructions for selected fabric at kvadrat.de, gabriel.dk, anticcuir.com and hornschurch.com

DOWNLOADS:

3D and DG files are available at alki.fr – images bank section.

LAIA COLLECTION:



CERTIFICATES AND SUSTAINABILITY:

European standard: UNE-EN 15377 Level 2 (equiv. 16139 Level 1)

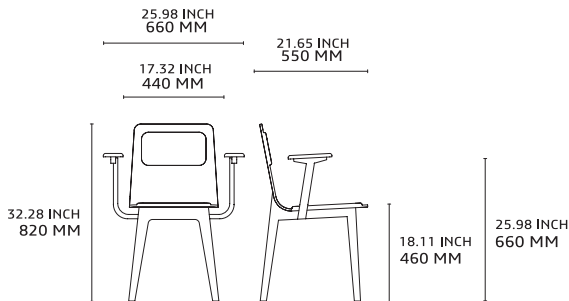
Laia armchair

Design by Jean Louis Iratzoki



The Laia collection is a reflection of Alki's commitment to sustainable development. This is a rational design marked by well-thought-out craftsmanship and a pursuit of timeless furniture that eschews the pitfalls of the fads and crazes of the moment. It features a simple oak frame topped with a plywood shell covered with foam, felt and wool.

DIMENSIONS:



CATEGORY:

Armchair

ENVIRONMENT:

Indoor

APLICATIONS:

- CHR
- Public
- Office

WEIGHT: 7 kg

MATERIALS:

Solid oak construction.
 Seat in plywood upholstered in fabric, eco-leather and leather.
 Natural felt (4 mm thickness) Natural color Grey/Brown
 Felt glides
 For Front and back in fabric: ONLY with Luna, Europost, Palma finishes

IN OPTION: CMHR foam (non fire)

MADE TO ORDER: Finishes and upholsteries, page 2

SPARE PARTS:

Felt glides recommended for all types of flooring. Possibility to change for slide glides in case carpet floors.

ACCESSORIES: No

ASSEMBLED PRODUCT: Yes

COM UPHOLSTERY:

Upon request and under alki's confirmation.

- Laia armchair front upholstery: COM 1,1 x 1,40 mts / 3 chairs
COL 5m² / 6 chairs
- Laia armchair front & back upholstery: COM 2 x 1,40 mts / 3 chairs
COL 5m² / 3 chairs

CLEANING AND CARE INSTRUCTIONS:

Dry cloth. To avoid aerosol and spray products with silicone. For upholstery versions please find cleaning instructions for selected fabric at kvadrat.de, gabriel.dk, anticcuir.com and hornschurch.com

DOWNLOADS:

3D and DG files are available at alki.fr – images bank section.

THE LAIA COLLECTION INCLUDES:



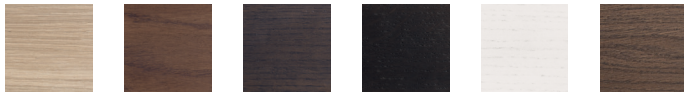
CERTIFICATES AND SUSTAINABILITY:

European standard: UNE-EN 15377 Level 2 (equiv. 16139 Level 1)

Non contractual document - modifiable without previous notice.

Finishes

Wood



Natural Oak | Ash Grey Oak | Tourbe Oak | Carbon Oak | White Stained Oak | Walnut Stained Oak

Leather

G4: Gracia



Gracia 917 | Gracia 902 | Gracia 903 | Gracia 908 | Gracia 911 | Gracia 920
 Gracia 924 | Gracia 925 | Gracia 929 | Gracia 930 | Gracia 941 | Gracia 943
 Gracia 944 | Gracia 945 | Gracia 950 | Gracia 967

Natural Wool Felt



Natural Wool Felt

Eco Leather

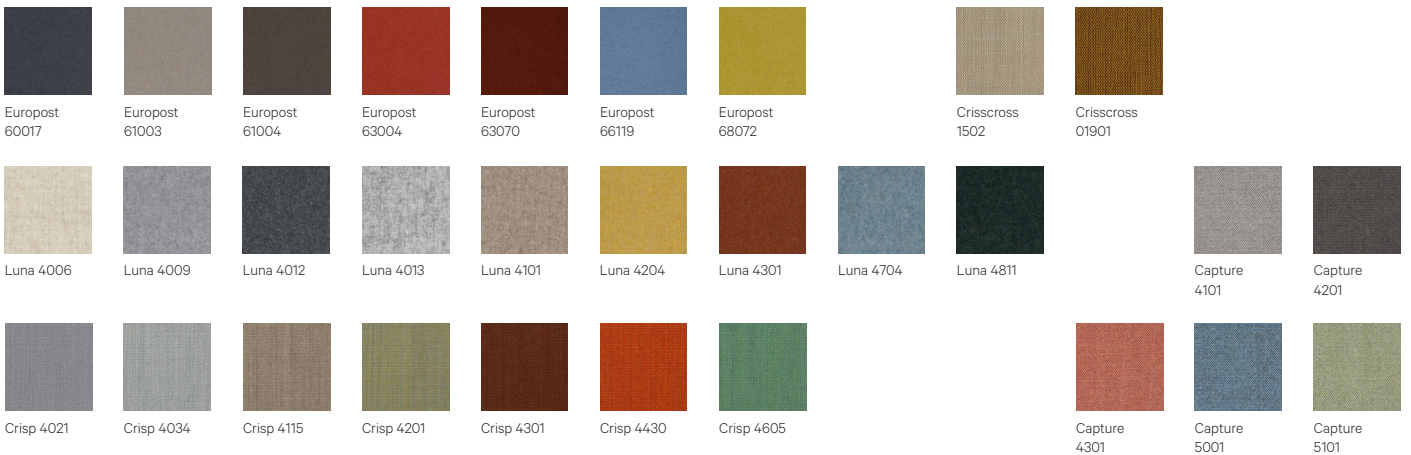
G1: Palma | G2: Palma NF



Palma Silver Grey | Palma NF Baltic | Palma NF Perle | Palma Mimosa | Palma NF Birke
 Palma NF Smoke | Palma Fango | Palma Olivbraun | Palma NF Kenia | Palma NF Inka
 Palma Whisky | Palma Lachs | Palma NF Antrazit | Palma NF Schwartz

Fabrics by Gabriel

G1: Europost, Crisp, Capture | G2: Crisscross | G3: Luna



Europost 60017 | Europost 61003 | Europost 61004 | Europost 63004 | Europost 63070 | Europost 66119 | Europost 68072 | Crisscross 1502 | Crisscross 01901
 Luna 4006 | Luna 4009 | Luna 4012 | Luna 4013 | Luna 4101 | Luna 4204 | Luna 4301 | Luna 4704 | Luna 4811 | Capture 4101 | Capture 4201
 Crisp 4021 | Crisp 4034 | Crisp 4115 | Crisp 4201 | Crisp 4301 | Crisp 4430 | Crisp 4605 | Capture 4301 | Capture 5001 | Capture 5101

Fabrics by Kvadrat

G1: Remix | G2: Molly, Canvas | G3: Steelcut Trio



Steelcut Trio 113 | Steelcut Trio 124 | Steelcut Trio 416 | Steelcut Trio 453 | Steelcut Trio 515 | Molly 112 | Molly 114 | Molly 152 | Molly 194
 Canvas 154 | Canvas 414 | Remix 173 | Remix 252 | Remix 412 | Remix 422 | Remix 612 | Remix 873 | Remix 982