

# CHESHIRE

GamFratesi, 2013

It echoes the studio's Nordic imprint in its simplicity and functional aspects. The opaline polycarbonate diffuser ensures soft lighting, while the colored one spreads the light downwards in the table and floor versions or upwards in the hanging model.



## RELATED PRODUCTS



### CHESHIRE

*Table Lamp*

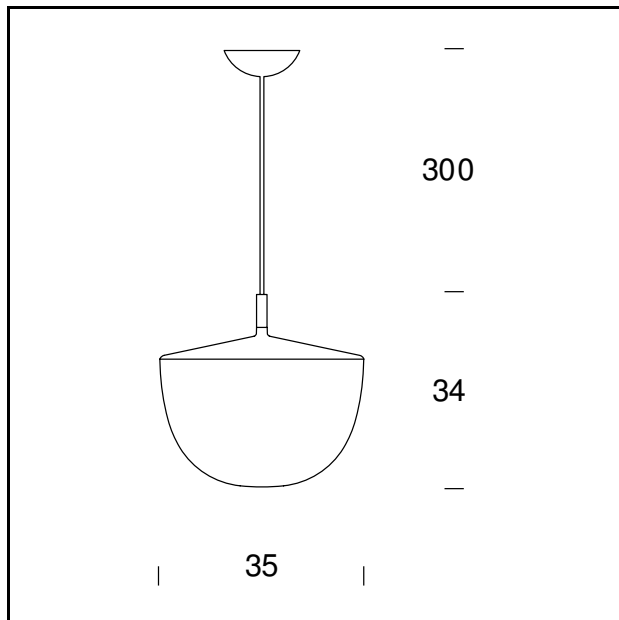


### CHESHIRE

*Floor Lamp*

**TECHNICAL SHEET**

4257../4316.. Suspension. Opal polycarbonate lampshade. Upper diffuser in polycarbonate. Upper diffuser, canopy and stem white BI (RAL 9010 matt), black N (RAL 7021 matt) or green V (RAL 6013 matt). Clear power cable for the white version, in the same colour as the lampshade for the other versions. 4257/4316 Suspension lamp. Shade and upper diffuser in opal polycarbonate. White canopy and stem. Clear power cable.



**MODEL NAME:** Cheshire

**CODE:** 4257..

**DIMENSIONS:** 35 x 34 + 300 cm

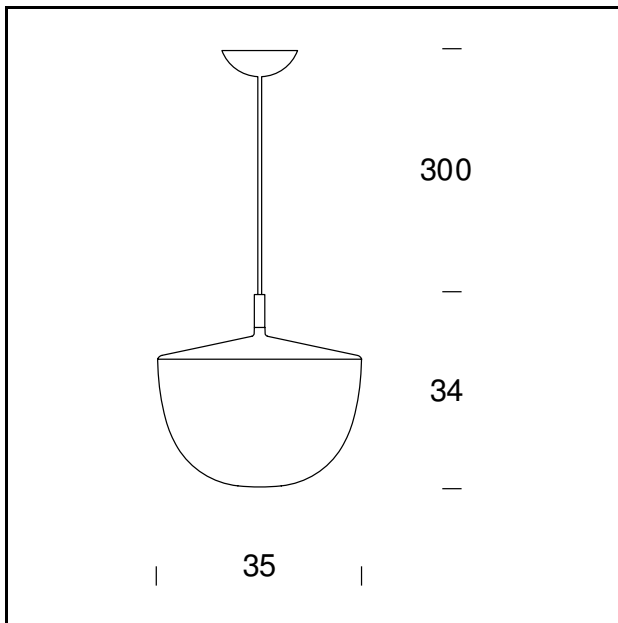
**COLORS**

- Black - RAL Code: RAL 7021 Matt
- Green - RAL Code: RAL 6013 Matt
- White - RAL Code: RAL 9010

**BULB:** 3×23W (FL) E27

**CERTIFICATIONS AND SYMBOLS:**





**MODEL NAME:** Cheshire

**CODE:** 4316..

**DIMENSIONS:** 35 x 34 + 300 cm

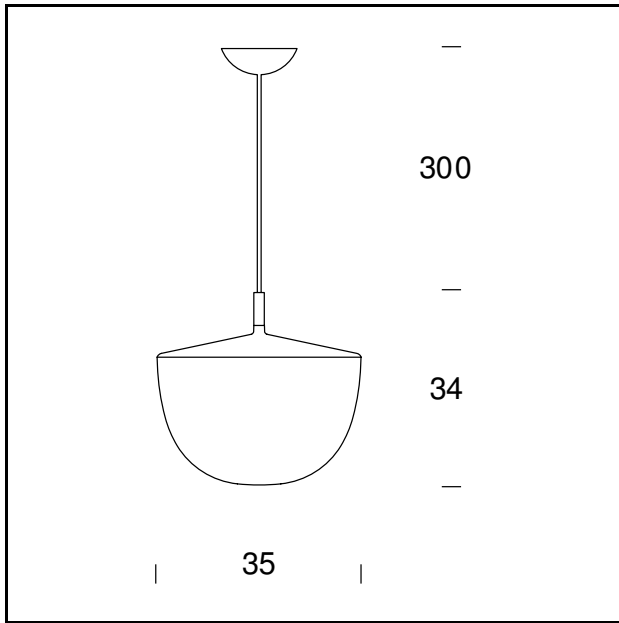
**COLORS**

- Black - RAL Code: RAL 7021 Matt
- Green - RAL Code: RAL 6013 Matt
- White - RAL Code: RAL 9010

**BULB:** 10W LED LINE VOLTAGE (2700 K, CRI >80, 1250 Lm)

**CERTIFICATIONS AND SYMBOLS:**





**MODEL NAME:** Cheshire

**CODE:** 4257

**DIMENSIONS:** 35 x 34 + 300 cm

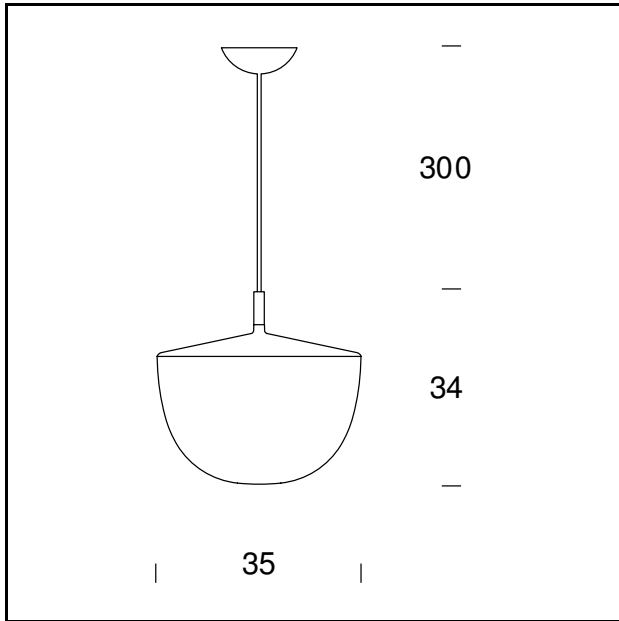
**COLORS**

● Opaline

**BULB:** 3x23W (FL) E27

**CERTIFICATIONS AND SYMBOLS:**





**MODEL NAME:** Cheshire

**CODE:** 4316

**DIMENSIONS:** 35 x 34 + 300 cm

**COLORS**

● Opaline

**BULB:** 10W LED LINE VOLTAGE (2700 K, CRI >80, 1250 Lm)

**CERTIFICATIONS AND SYMBOLS:**

CE IP20 *Classe II* 

Subject to technical modifications and modifications to content