

CHESHIRE

GamFratesi, 2013

It echoes the studio's Nordic imprint in its simplicity and functional aspects. The opaline polycarbonate diffuser ensures soft lighting, while the colored one spreads the light downwards in the table and floor versions or upwards in the hanging model.



RELATED PRODUCTS



CHESHIRE

Floor Lamp

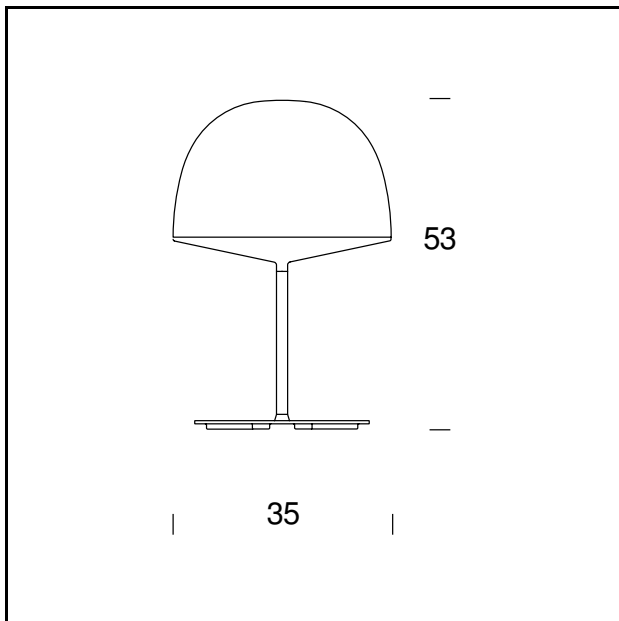


CHESHIRE

Suspension Lamp

TECHNICAL SHEET

Table lamp. Opal lower diffuser. Lampshade in polycarbonate. Stem and base in metal. Lampshade, stem and base white (RAL 9010 matt), black (RAL 7021 matt) and green (RAL 6013 matt). Clear cable and plug. For the opaline version, shade and lower diffuser in opal polycarbonate. Black stem and base.



MODEL NAME: Cheshire

CODE: 4251..

DIMENSIONS: ø 35 × 53cm

MATERIALS: Polycarbonate, Metal

COLORS

- Black - RAL Code: RAL 7021 Matt
- Green - RAL Code: RAL 6013 Matt
- White - RAL Code: RAL 9010

BULB: 3×23W (FL) E27

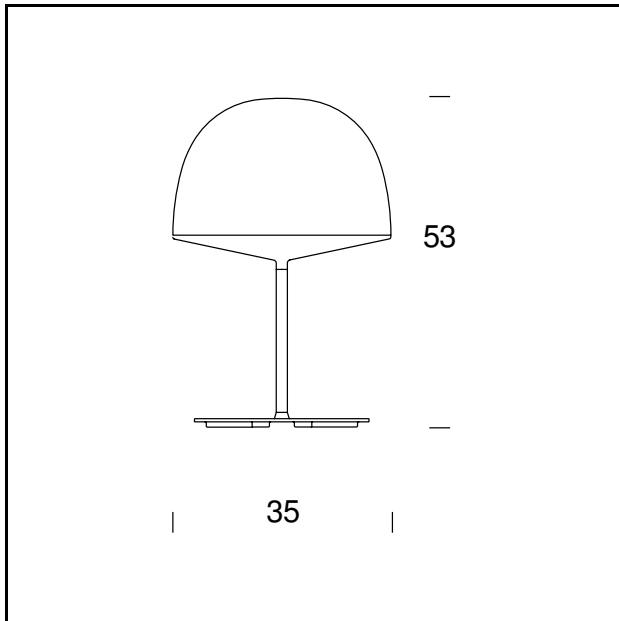
PLUG: Transparent

POWER CORD: transparent

CERTIFICATIONS AND SYMBOLS:



TECHNICAL SHEET




MODEL NAME: Cheshire

CODE: 4251

DIMENSIONS: \varnothing 35 \times 53cm

MATERIALS: Polycarbonate, Metal

COLORS

 Opaline

BULB: 1 \times 30W (FL) E27

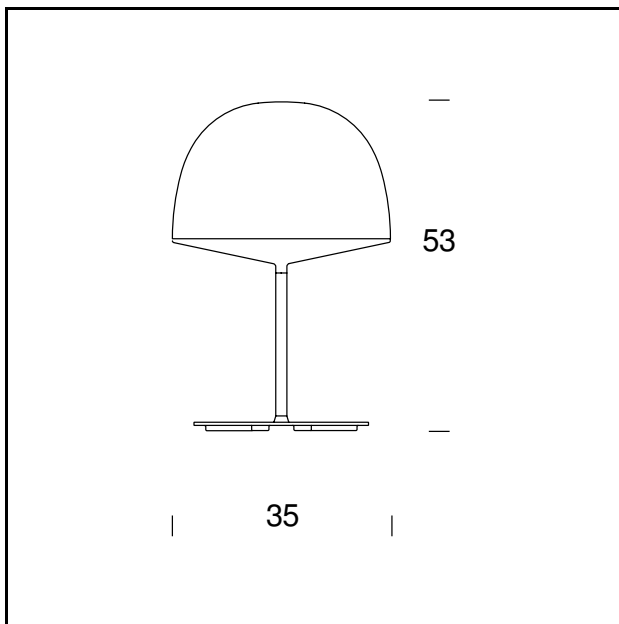
PLUG: Transparent

POWER CORD: transparent

CERTIFICATIONS AND SYMBOLS:



TECHNICAL SHEET



MODEL NAME: Cheshire Led

CODE: 4314..

DIMENSIONS: \varnothing 35 \times 53cm

MATERIALS: Polycarbonate, Metal

COLORS

- Black - RAL Code: RAL 7021 Matt
- Green - RAL Code: RAL 6013 Matt
- White - RAL Code: RAL 9010

BULB: 17,5W Led (2700 K, CRI>80, Lm 1650)

PLUG: Transparent

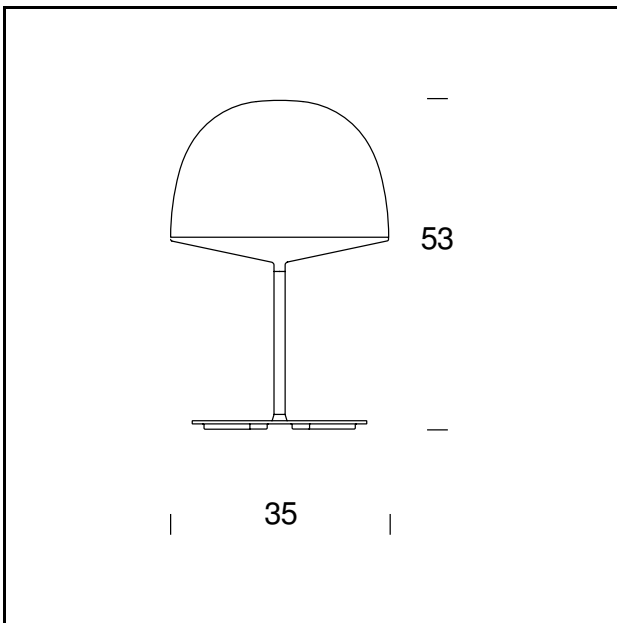
POWER CORD: Transparent

DIMMER: Transparent

CERTIFICATIONS AND SYMBOLS:



TECHNICAL SHEET




MODEL NAME: Cheshire Led

CODE: 4314

DIMENSIONS: \varnothing 35 × 53cm

MATERIALS: Polycarbonate, Metal

COLORS

 Opaline

BULB: 17,5W Led (2700 K, CRI>80, Lm 1650)

PLUG: Transparent

POWER CORD: Transparent

DIMMER: Transparent

CERTIFICATIONS AND SYMBOLS:

  IP40

Subject to technical modifications and modifications to content